

Compact, 18" (3" voice coil) passive subwoofer cabinet in direct radiation configuration



Key features

- Compact direct radiation sub bass cabinet
- Ultra low air noise
- Screwless grill with protective acoustic textile
- Integrated ergonomic handle
- Hidden speakon connection
- Pole mount fitting
- Polyurea coating

Applications

- Club & bar installation
- Houses of worship
- Sound reinforcement
- Theatres
- Public address
- Multi media spaces

General description & specifications

The BS-118 is a compact, passive subwoofer cabinet designed to extend low frequency support to the four BS Series full range cabinets.

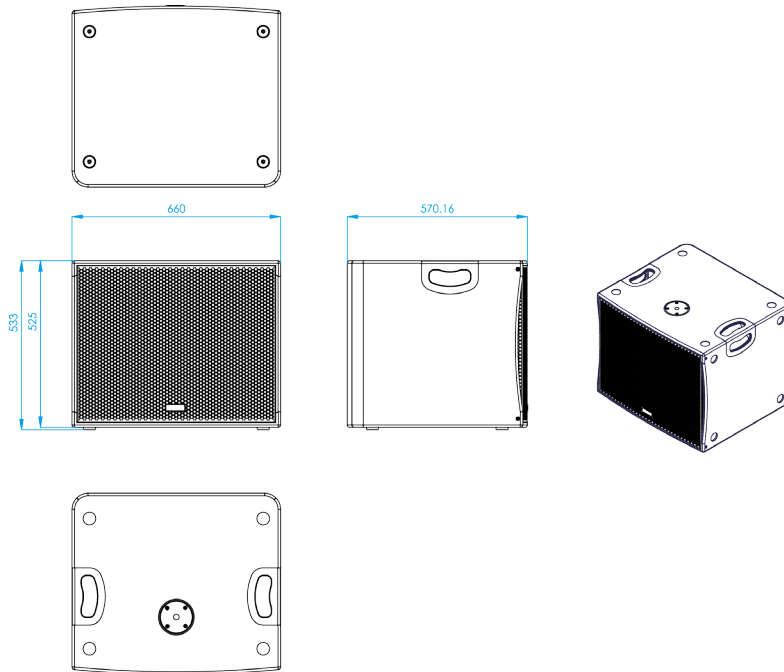
The 18" (3" voice coil) driver offers high power handling and high sensitivity with low distortion and ultra low air noise. The cone is waterproof, has been treated on both sides and has been optimized for direct radiation subwoofer applications.

Constructed from premium birch plywood and coated in high resistant polyurea paint. The enclosure also offers a screw free grille together with pole mount fitting so that it can be used with any of the four full range cabinets. We recommend that the cabinet presets are applied for maximum optimization and performance.

Technical Data

| | |
|--------------------------|--|
| Components | |
| • LF: | 18" speaker, 3" (75 mm) copper wire voice coil, Waterproof cone with treatment on both sides |
| Frequency range | 38 Hz - 100 Hz with preset |
| Sensitivity | 98 dB |
| Max SPL | 126 dB / 132 dB |
| Rated Power | 600 W AES (1200 W program, 2400 W peak) |
| Dispersion | Omnidirectional |
| Nominal Impedance | 8 Ω |
| Connectors | 2 x NEUTRIK Speakon NL4 |
| Finish | Polyurea coating |
| Material | 15 mm Premium birch plywood |
| Dimensions | 533 x 660 x 570 mm (H x W x D) |
| Weight | 33 Kg (52.9 lbs) |
| Fittings | 2 integrated ergonomic handles, 4 rubber feets right side for vertical install, M-10 fly point |
| Accessories | M-20 connector pole, M-10 eyebolt |
| Enclosure Type | Bass reflex direct radiation subwoofer |

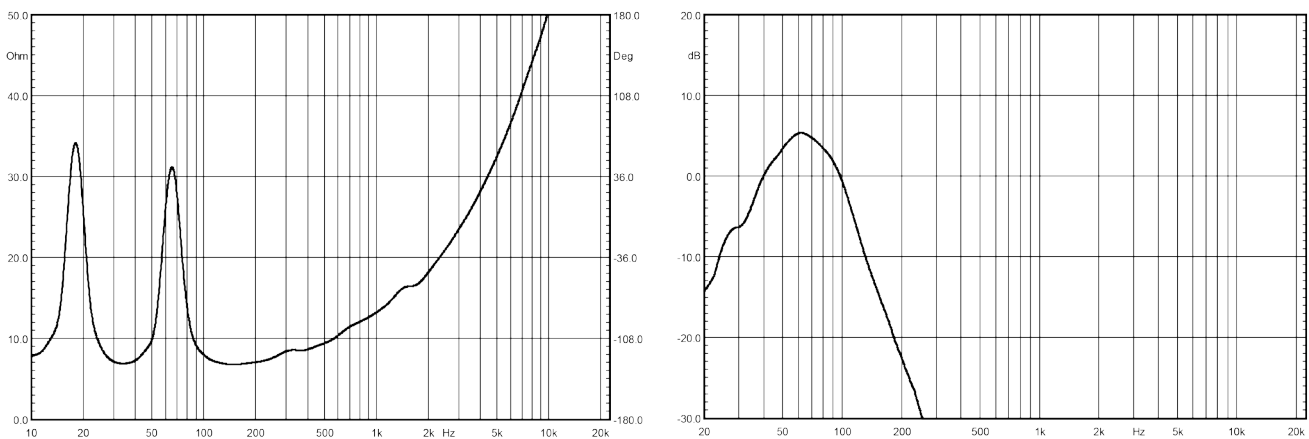
Dimensional Drawing



Accessories

| | | |
|--|--------|--|
| | AGR-8 | M8 Eyebolt |
| | TU-C02 | M20 pole support for combination between sub and satellite cabinet |

Impedance Response & Frequency Response



Model BS-118 Optimizer Preset

This document contains the filter values for the model BS-118 speaker.

| NUMBER FILTER | TYPE OF FILTER | FREQ Hz | Q | GAIN dB |
|---------------|-------------------|---------|---|---------|
| 1 | Parametric Q Adap | 63 | 2 | 2.5 |
| 2 | | | | |
| 3 | | | | |
| 4 | | | | |
| 5 | | | | |
| 6 | | | | |
| 7 | | | | |
| 8 | | | | |
| 9 | | | | |

| CROSSOVER | TYPE | FREQ Hz | GAIN dB |
|-----------|-------|---------|--------------|
| LOW-PASS | L-R | 90 | 4° 24 dB/Oct |
| HIGH-PASS | Buttw | 30 | 3° 18 dB/Oct |

Note:

The preset is made with an amplifier from the RS series and an ARK processor. Using other products will not guarantee the same result and if the preset is incorrectly introduced it can affect the performance of the system and the reliability of the speaker.

Ensure the impedance of the loudspeaker and the maximum AES power is capable of supporting when adjusting the power limitation in the amplifier.

This can also lead to loss of warranty claims in case of damage.

CULTURE OF SOUND